

Lansdale Butterfly Valve Installation Instructions

2½, 3, 4, 6, 8 Inch Sizes

Prior to installation of supervisory switches in fire protection systems please read the following:
Connect supervisory switch in accordance with the N.F.P.A. 70 National electrical code.

Refer to the following standards when installing the Lansdale BFV:

- NFPA 13 : Installation of sprinkler systems (Section 3.17)
- NFPA 13A : Inspection, Testing, and Maintenance of sprinkler systems (Chapters 4 & 5)
- NFPA 72 : Installation, Maintenance and use of protective signaling systems (Section 3 - 4.2)
- NFPA 71 : Signaling system for central station service (Section 3 - 4.4)

Metallic conduit required by NEC for proper grounding.
Conduit joints must be sealed with conductive sealant.
Install switch in accordance with "National Electrical Code" and/or local ordinance.
Assure all devices are properly grounded.

Connection Wiring Diagram

The designer should make certain the valve disc, when fully open, will not interfere with the operation of other system components immediately adjacent to the butterfly valve. The tamper switch is operated by a cam connected to the valve stem. The switch will change position and close within two(2) full turns of the hand wheel from the fully open position. Wiring to the switch is via three color coated wire leads.

- 1) Switch supervisory normally open
- 2) Switch(S1) has two #18 AWG wires per terminal. These permit complete supervision (see diagram below). Second switch(S2) has one #18 AWG wire per terminal. This double circuit provides locations such as an indicating light and an audible alarm in the area of the valve installation.

Switch # 1 : For connection to the supervisory circuit of a UL Listed alarm control panel.

- S-1 : Normally Closed - 2 Red
- Normally Open - 2 Yellow
- Common - 2 White

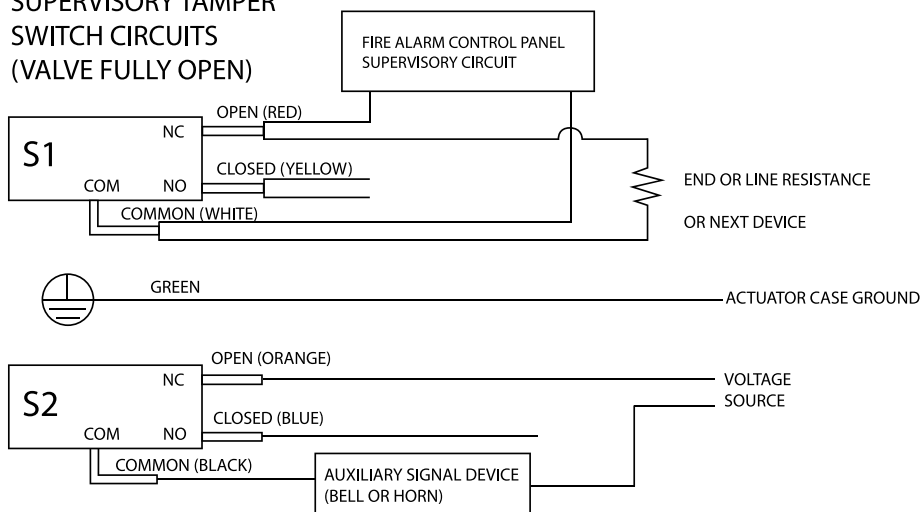
Switch # 2 : Auxiliary switch, which may connect per authority having jurisdiction (AHJ) to the auxiliary device.

- S-2 : Normally closed - 1 Orange
- Normally open - 1 Blue
- Common - 1 Black

- 3) A switch housing ground lead #14 AWG is provided.

Monitor Switch "For Indoor & Outdoor"

SUPERVISORY TAMPER SWITCH CIRCUITS (VALVE FULLY OPEN)



LANSDALE INTERNATIONAL

1050 Broadway, Westville, NJ 08093
P. 800-908-0523 F. 856-456-9223
www.lansdaleinternational.com